

GTLP-S Push Knob Latch

Features

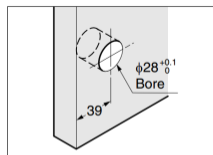
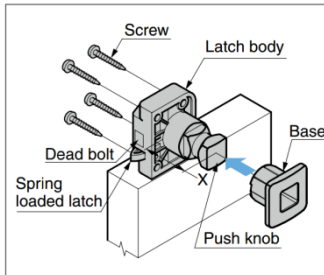
- Knob is stored flush when pushed in and not in use
- Knob pops out when pressed to open the door
- Latch securely locks the door with dead bolt
- Flexible to suit door thickness (19 ~ 30 mm) by adjusting screw
- Can be used for overlay and inset door
- Rounded push knob and base are also available

Notes

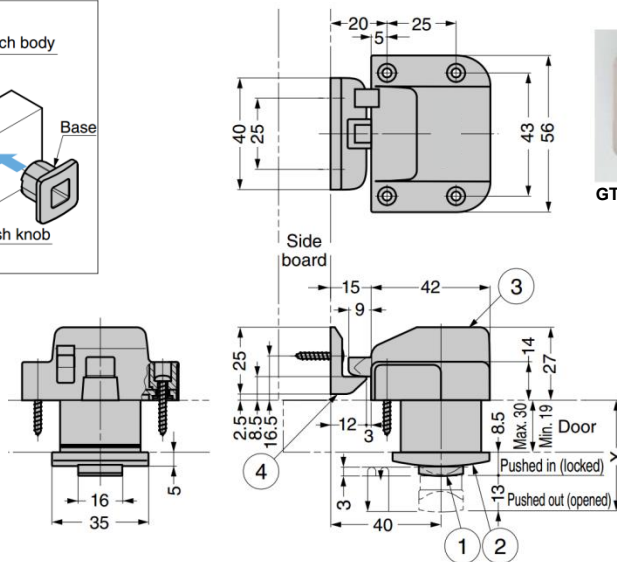
- Applicable door thickness: 19 ~ 30 mm
- For complete set, to order (a) Push Knob + Base and (b) Latch Body + Counter Plate
- Spring loaded latch and the dead bolt are reversed up and down when using for right and left installation
- Door stopper is required when installing to inset door

Parts Included

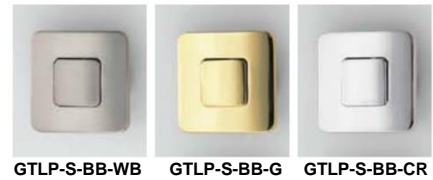
- Door thickness adjustment screw: M4×24, M4×30 (attached to ①②)
- Latch body mounting screw: Pan-head tapping screw 3×20 (SUS, attached to ③④)
- Counter plate mounting screw: Pan-head tapping screw 3×16 (SUS, attached to ③④)



Dimension above is for inset door. Refer to the right figure for overlay door.



Push Knob and Base



Latch Body and Counter Plate



No.	Part Name	Material	Finish / Colour
①	Push knob	Brass	White Bronze Plating, Gold,
②	Base	Zinc Alloy (ZDC)	Chrome
③	Latch Body	PA	White
④	Counter Plate		

(a) Push Knob ① + Base ②

Part No.	Pipe
GTLP-S-BB-WB	Satin Nickel
GTLP-S-BB-G	Gold
GTLP-S-BB-CR	Chrome

X Dimension

Screw Length	Door Thickness	X	Screw Length	Door Thickness	X
24	19	40.5	30	25	46.5
	20	41.5		26	47.5
	21	42.5		27	48.5
	22	43.5		28	49.5
	23	44.5		29	50.5
	24	45.5		30	51.5

(b) Latch Body ③ + Counter Plate ④

Part No.	Retaining Force	
GTLP-LBMW	196 N	20 kg